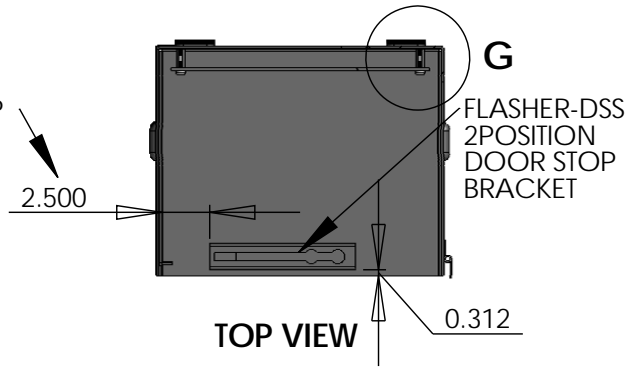
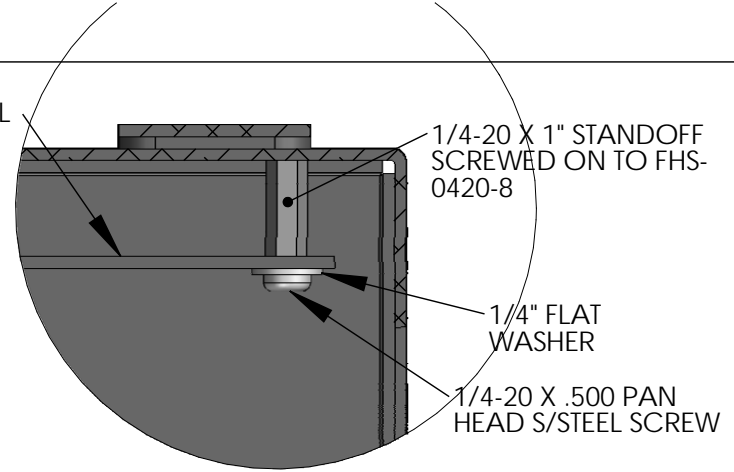


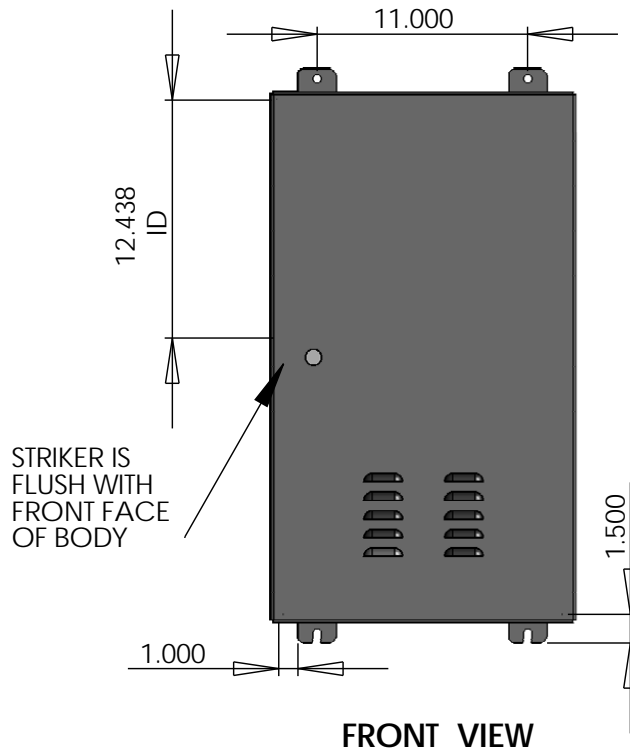
DIMENSION FROM INSIDE EDGE OF BOTTOM END CAP



BACK PANEL

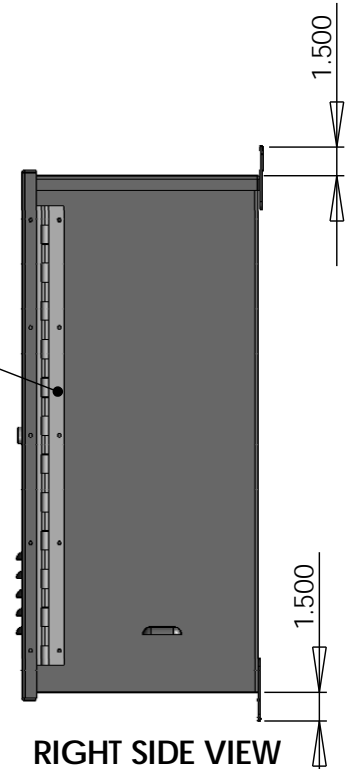


DETAIL G  
SCALE 1 : 2



HINGE IS RIVETED TO  
BODY AND DOOR

FLASHER MAY BE ORDERED WITH  
A NO.2 LOCK DOOR OR A  
SKELETON LOCK DOOR



**SUPREME ELECTRIC**

**Southern Manufacturing**

501 Herndon Ave  
Orlando, FL 32803 407-894-8851

MATERIAL: 5052H-32 ALUMINUM .125" in

FINISH: MILL

NAME DATE

DRAWN By: LAB 11/25/2009

CHECKED:

MFG APPR:

Cust APPR:

SIZE P/N: BODY ASSY

**A** 27X15X12 FLASHER

Rev: 0

Scale: 1:10

Sheet 10 of 18

PROPRIETARY AND CONFIDENTIAL

The information contained in this drawing is the sole property of Southern Manufacturing. Any reproduction in part or as a whole without the written permission of Southern Manufacturing is prohibited.

5

4

3

2

1