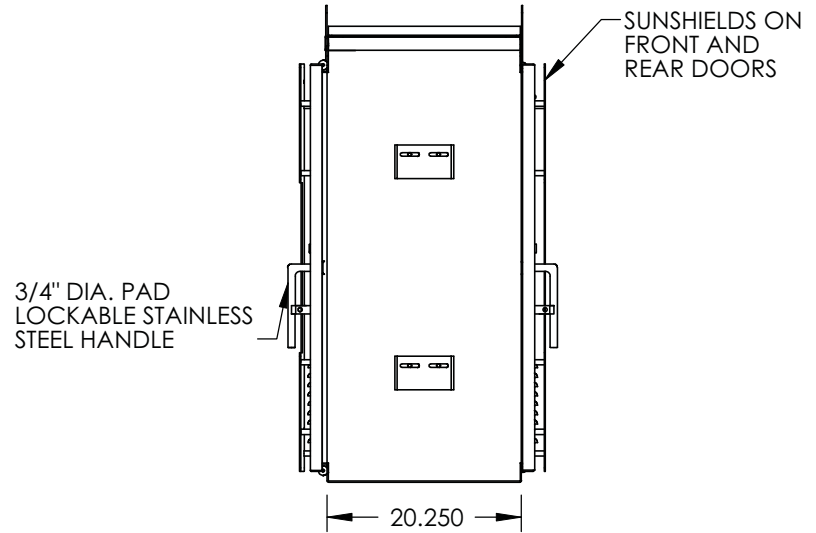
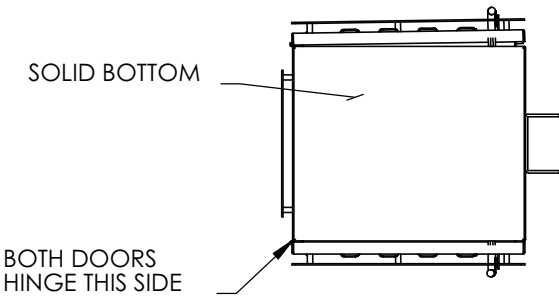


**FRONT VIEW**



**RIGHT SIDE VIEW**



**BOTTOM VIEW**

**NOTES:**

1. CABINET AND SUNSHIELDS ARE CONSTRUCTED FROM .125" THICK 5052 H-32 ALUMINUM, MILL FINISH , TO NEMA 3R STANDARDS AND IS POLE MOUNTED.
2. FRONT DOOR IS HINGED ON THE LEFT (AS VIEWED FROM THE FRONT) REAR DOOR IS HINGED ON THE RIGHT (AS VIEWED FROM THE REAR).
3. BOTH DOORS HAVE LOUVERS WITH 10" X 16" METAL AIR FILTERS AND LOUVERED FILTER COVERS , THREE POINT LATCHING , (2) TWO POSITION DOOR STOPS (90 AND 120 DEGREES ) , A 3/4" DIA. STAINLESS STEEL PAD - LOCKABLE HANDLE WITH #2 MAIN DOOR LOCKS , DOCUMENT POUCH BRACKETS WITH ONE DOCUMENT POUCH, AND NEOPRENE GASKET ALL AROUND.
4. CABINET HAS THREE 14 GA. STAINLESS STEEL HINGES PER DOOR , HINGES ARE CONCEALED TO PREVENT REMOVAL WHILE DOOR IS CLOSED.
5. CABINET HAS (1) 19" EIA RACK APPROX. 21.25"W X 16.25D X 40.25" H (21 RU) WITH FRONT AND REAR DOOR SWITCH / LAMP BRACKETS .
6. CABINET HAS A FULL SET OF SUNSHIELDS FRONT AND REAR DOORS , LEFT SIDE & TOP. SIDE AND DOOR SUNSHIELDS ARE ATTACHED WITH BOLTS AND 1" SPACERS,INTO PRESS IN INSERTS . TOP SUNSHIELD IS ATTACHED TO Z - BRACKETS ( Z - BRACKETS WELDED TO CABINET TOP ) ALL BOLTS ARE TAMPER PROOF , STAINLESS STEEL SUNSHIELD NOT PROVIDED FOR RIGHT SIDE OF CABINET.
7. CABINET HAS FAN PLENUM PLATE FOR DUAL 4" FANS.
8. CABINET HAS POLE MOUNTING STIFFENER CHANNELS ON INSIDE OF BODY AND POLE MOUNTING BRACKETS MOUNTED ON THE OUTSIDE.
9. ALL HARDWARE IS STAINLESS STEEL.



**Southern Manufacturing**

501 Herndon Ave  
Orlando, Fl. 32803  
ph: 407-894-8851  
fx: 407-894-5373

MATERIAL: 5052H-32 ALUMINUM .125"  
FINISH:

	NAME	DATE
DRAWN By:	LAB	5/20/2010
CHECKED:		
MFG APPR:		
Cust APPR:		

**SOUTHERN MANUFACTURING CO.**

P/N: 336S-CCTV-UPS - DELIVERY DOCUMENT

FDOT TYPE 336S-CCTV-UPS  
785 SPECIFICATION CABINET

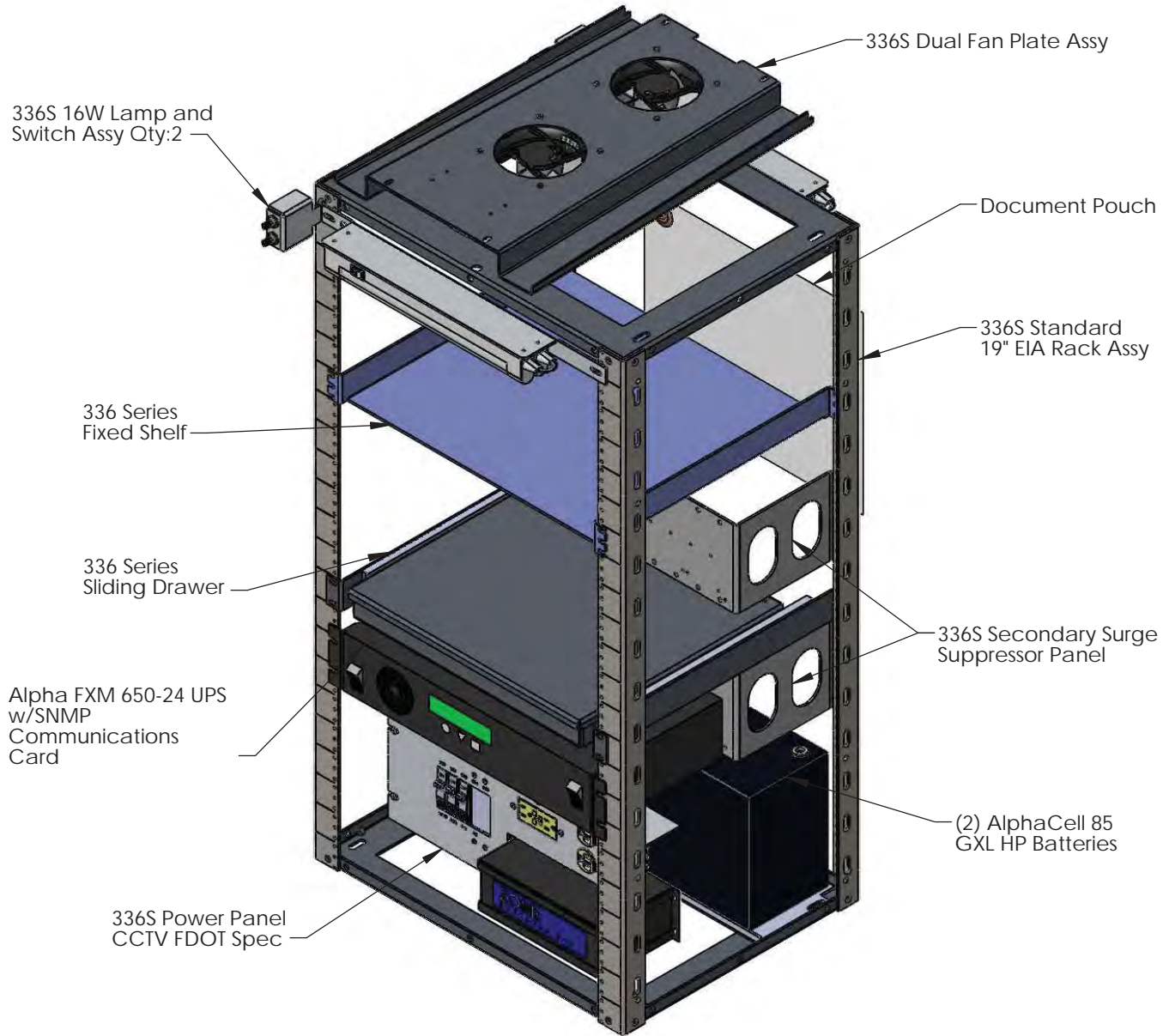
Rev: 0

Scale: 1:20 Sheet 1

SIZE **A**

**PROPRIETARY AND CONFIDENTIAL**

The information contained in this drawing is the sole property of Southern Manufacturing. Any reproduction in part or as a whole without the written permission of Southern Manufacturing is prohibited.



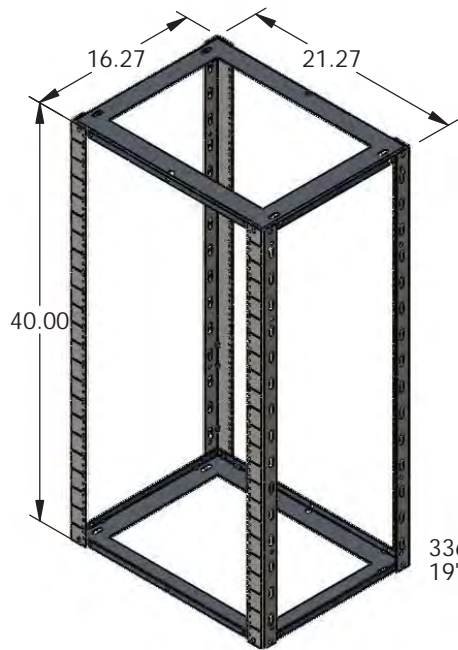
**Southern Manufacturing**

501 Herndon Ave  
Orlando, FL 32803  
ph: 407-894-8851  
fx: 407-894-5373

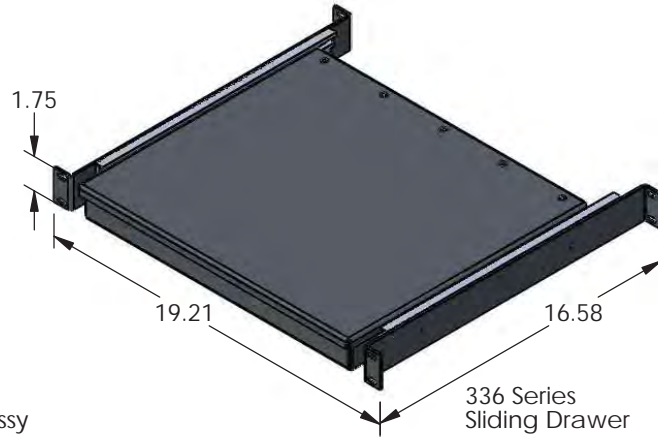
	NAME	DATE		
DRAWN By:	AE	17 DEC 11	P/N: WE336S-CCTVFL-P-SS-UPS-1	
CHECKED:				06 JAN 12
MATERIAL:	MFG APPR:			Rev: 1
FINISH:	Cust APPR:		Scale:	Sheet 1 of 5
				SIZE A

PROPRIETARY AND CONFIDENTIAL

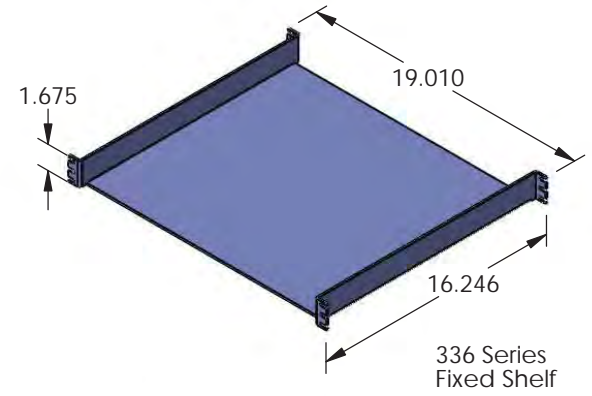
The information contained in this drawing is the sole property of Southern Manufacturing. Any reproduction in part or as a whole without the written permission of Southern Manufacturing is prohibited.



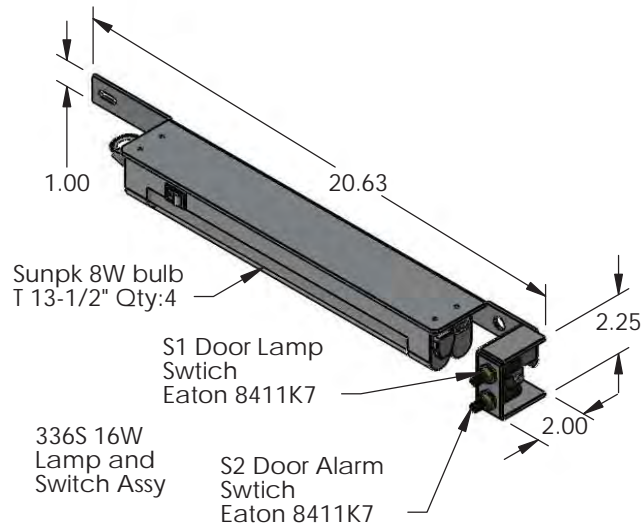
336S Standard  
19" EIA Rack Assy



336 Series  
Sliding Drawer



336 Series  
Fixed Shelf

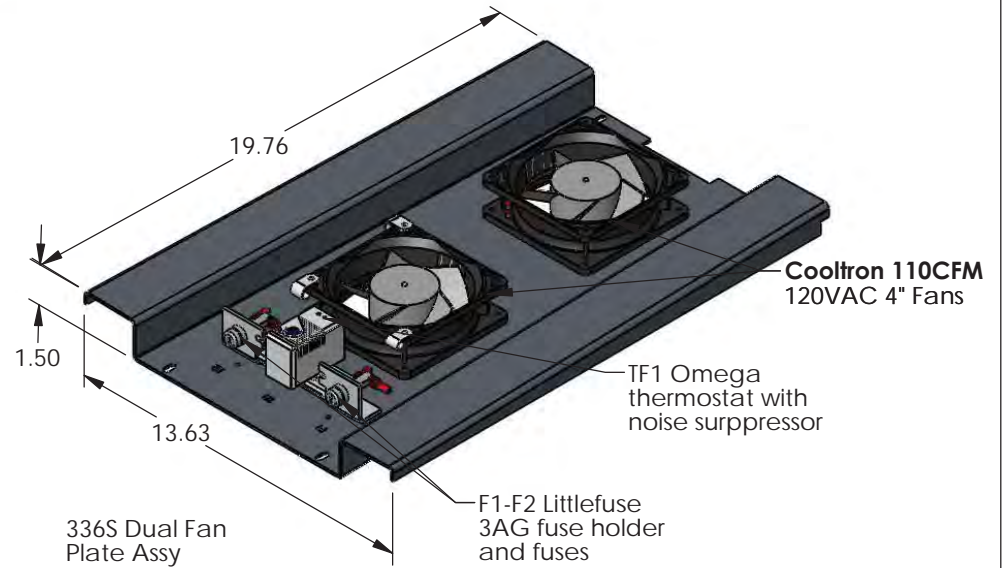


Sunpk 8W bulb  
T 13-1/2" Qty:4

S1 Door Lamp  
Switch  
Eaton 8411K7

336S 16W  
Lamp and  
Switch Assy

S2 Door Alarm  
Switch  
Eaton 8411K7



Cooltron 110CFM  
120VAC 4" Fans

TF1 Omega  
thermostat with  
noise suppressor

F1-F2 Littlefuse  
3AG fuse holder  
and fuses

336S Dual Fan  
Plate Assy



**Southern  
Manufacturing**

501 Herndon Ave  
Orlando, Fl. 32803  
ph: 407-894-8851  
fx: 407-894-5373

	NAME	DATE	
DRAWN By:	AE	17 DEC 11	P/N: WE336S-CCTVFL-P-SS-UPS-1
CHECKED:			
MATERIAL:	MFG APPR:		06 JAN 12 Rev: 1
FINISH:	Cust APPR:		Scale: Sheet 2 of 5 SIZE A

PROPRIETARY AND CONFIDENTIAL

The information contained in this drawing is the sole property of Southern Manufacturing. Any reproduction in part or as a whole without the written permission of Southern Manufacturing is prohibited.

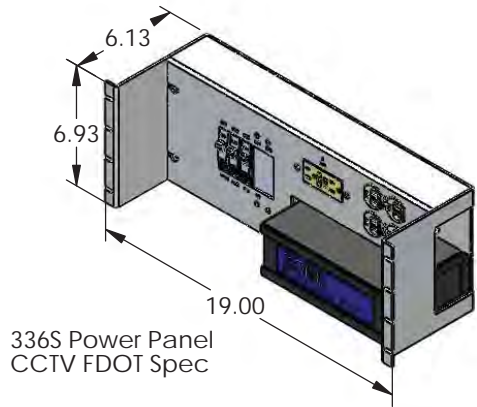
5

4

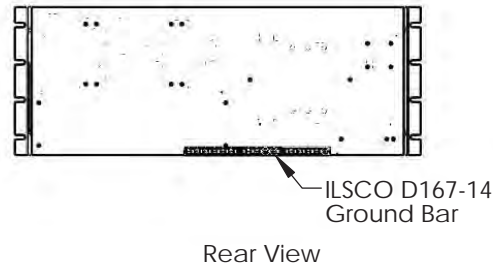
3

2

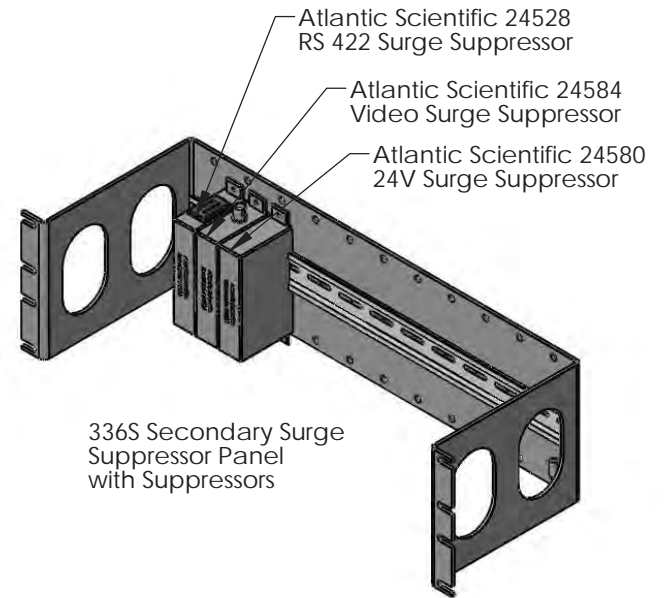
1



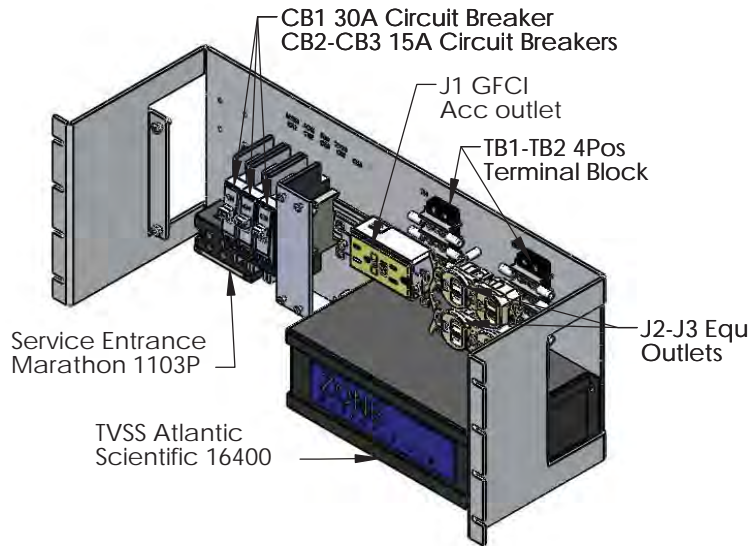
336S Power Panel  
CCTV FDOT Spec



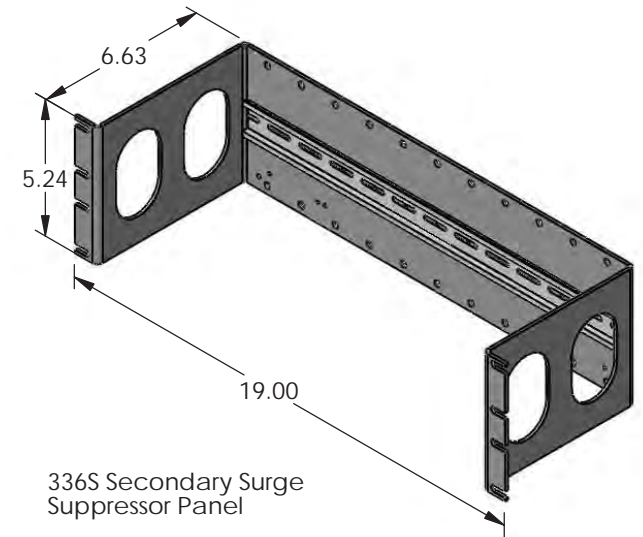
Rear View



336S Secondary Surge  
Suppressor Panel  
with Suppressors



336S Power Panel CCTV FDOT Spec  
Details, Front cover not shown



336S Secondary Surge  
Suppressor Panel



**Southern  
Manufacturing**

501 Herndon Ave  
Orlando, FL 32803  
ph: 407-894-8851  
fx: 407-894-5373

PROPRIETARY AND CONFIDENTIAL

The information contained in this drawing is the sole property of Southern Manufacturing. Any reproduction in part or as a whole without the written permission of Southern Manufacturing is prohibited.

MATERIAL:

FINISH:

NAME

DATE

DRAWN By:

AE

17 DEC 11

P/N: WE336S-CCTVFL-P-SS-UPS-1

CHECKED:

MFG APPR:

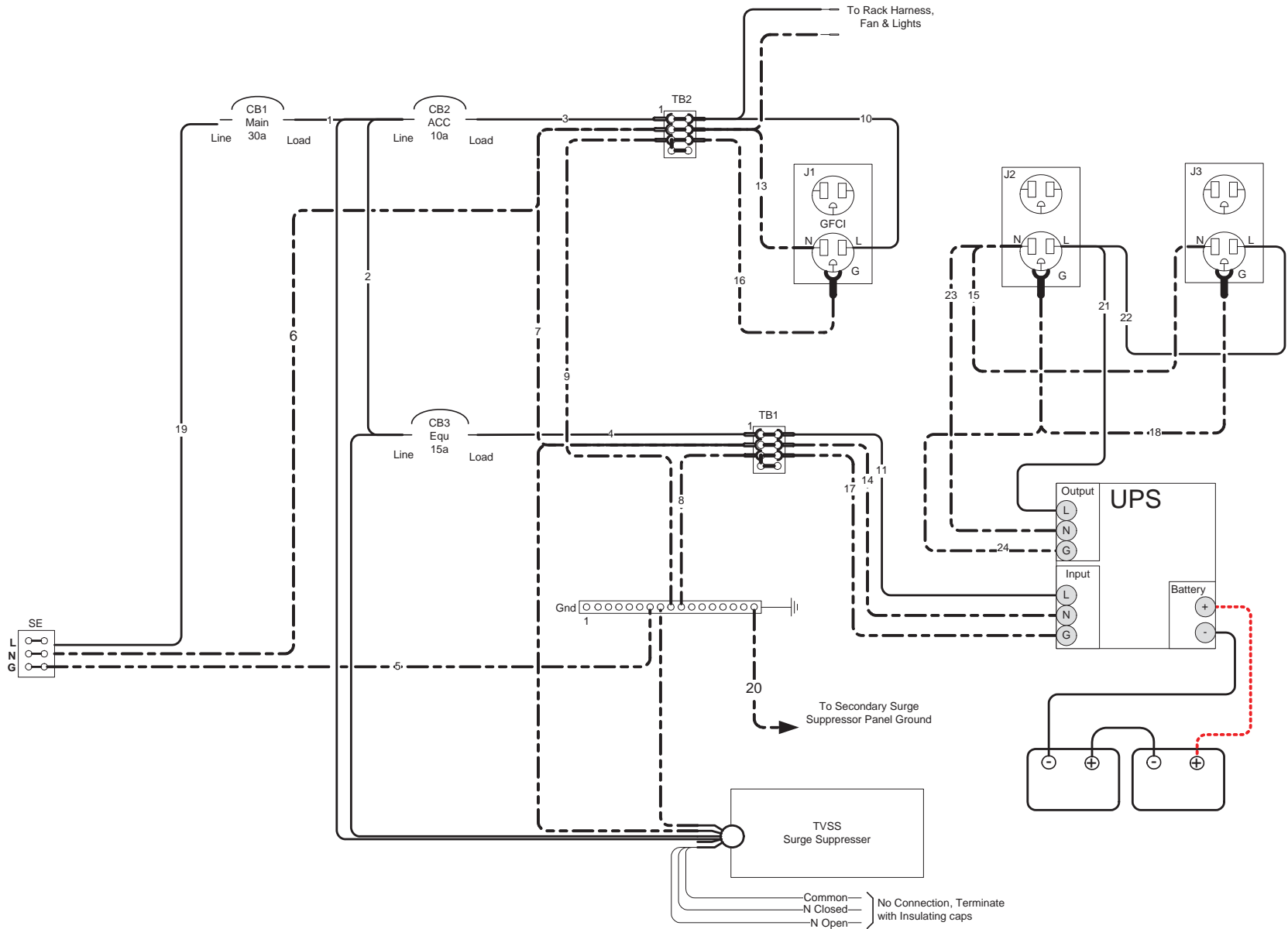
Cust APPR:

Rev: 0

Scale:

Sheet 3 of 5

SIZE A



**Southern Manufacturing**

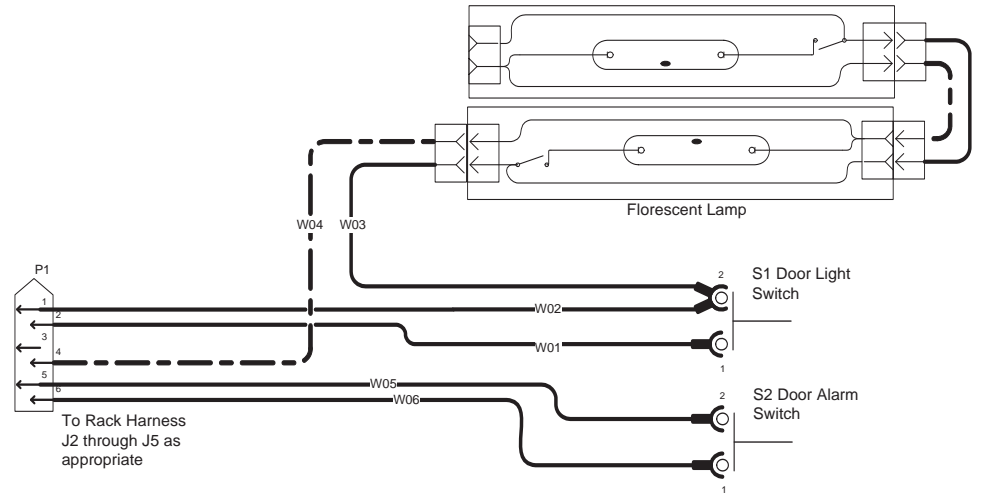
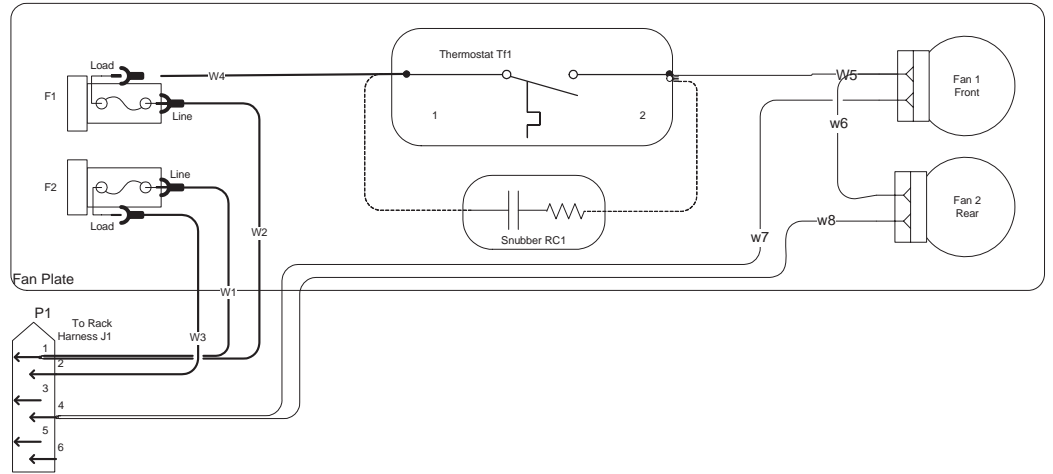
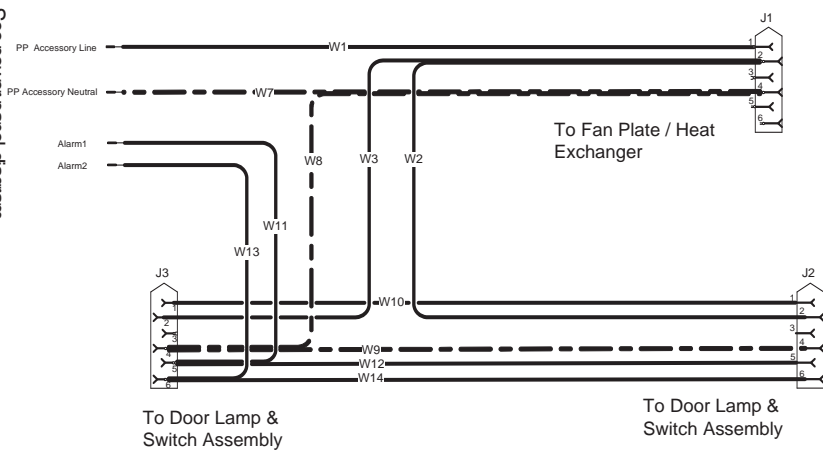
501 Herndon Ave  
Orlando, FL 32803  
ph: 407-894-8851  
fx: 407-894-5373

	NAME	DATE		
DRAWN By:	AE	19 DEC 11	P/N: Power Panel ESD	
CHECKED:				
MATERIAL:	MFG APPR:			
FINISH:	Cust APPR:		Scale:	Sheet 4 of 5
				Rev: 0 SIZE A

PROPRIETARY AND CONFIDENTIAL

The information contained in this drawing is the sole property of Southern Manufacturing. Any reproduction in part or as a whole without the written permission of Southern Manufacturing is prohibited.

See power panel diagram for final connections



**Southern Manufacturing**  
 501 Herndon Ave  
 Orlando, FL 32803  
 ph: 407-894-8851  
 fx: 407-894-5373

	NAME	DATE	P/N: Fan/Light/Harness ESD	06 JAN 12
DRAWN By:	AE	17 DEC 11		
CHECKED:				Rev: 1
MATERIAL:	MFG APPR:			
FINISH:	Cust APPR:		Scale:	Sheet 5 of 5

PROPRIETARY AND CONFIDENTIAL  
 The information contained in this drawing is the sole property of Southern Manufacturing. Any reproduction in part or as a whole without the written permission of Southern Manufacturing is prohibited.