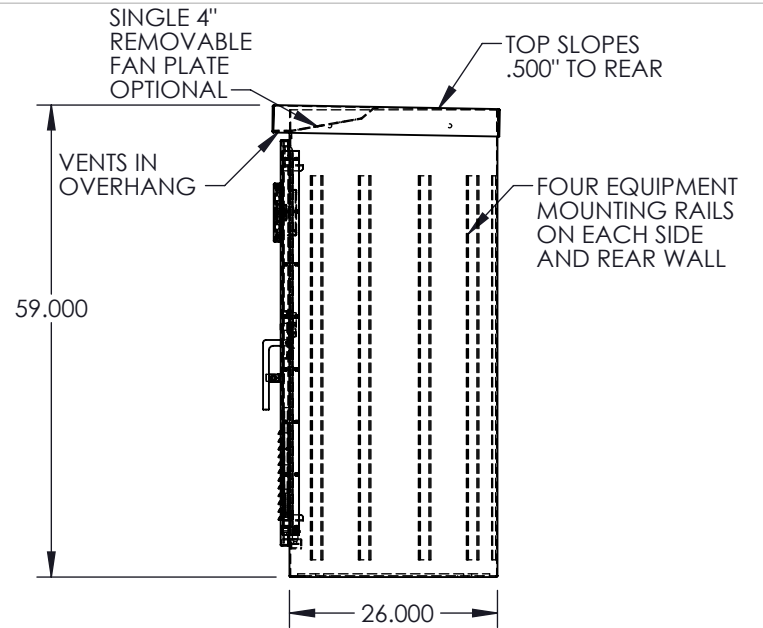
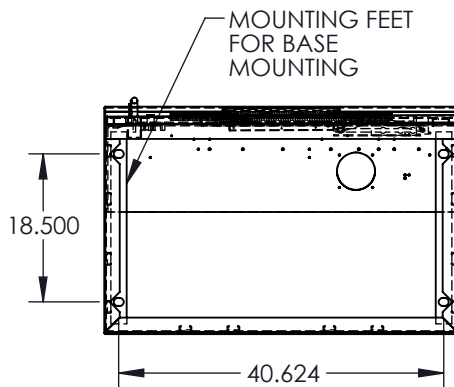


**FRONT VIEW**



**RIGHT SIDE VIEW**



**BOTTOM VIEW**

**NOTES**

1. CABINET IS CONSTRUCTED FROM .125" THICK 5052 H-32 ALUMINUM AND IS BASE MOUNTED.
2. CABINET HAS FOUR EQUIPMENT MOUNTING RAILS ON THE LEFT AND RIGHT SIDES AND THE REAR WALL, A DOOR SWITCH BRACKET, AND A SINGLE 4" REMOVABLE FAN PLATE.
3. DOOR HAS LOUVERS WITH A 14" X 20" FIBERGLASS AIR FILTER, A 3/4" DIA. PAD-LOCKABLE STAINLESS STEEL HANDLE WITH THREE POINT LATCHING, A THREE POSITION DOOR STOP, A #2 LOCK, A POLICE COMPARTMENT WITH A SKELETON LOCK, AND IS SEALED WITH NEOPRENE GASKET.
4. ALL HARDWARE IS STAINLESS STEEL.
5. CABINET IS RATED 3R AND IS UL LISTED.



**Southern Manufacturing**  
 150 Hope Street  
 Suite 1000  
 Longwood, Fl. 32750  
 ph: 407-894-8851  
 fx: 407-831-1508

MATERIAL: 5052H-32 ALUMINUM .125"

FINISH:

DRAWN By: LAB	NAME	DATE	SOUTHERN MANUFACTURING CO.	
	LAB	5/22/2012	P/N: P44-SUBMITTAL	
CHECKED:			SUBMITTAL DRAWING	
MFG APPR:				
Cust APPR:			Scale: 1:24	Sheet 1 of 1

Rev: 0

SIZE **A**

PROPRIETARY AND CONFIDENTIAL

The information contained in this drawing is the sole property of Southern Manufacturing. Any reproduction in part or as a whole without the written permission of Southern Manufacturing is prohibited.