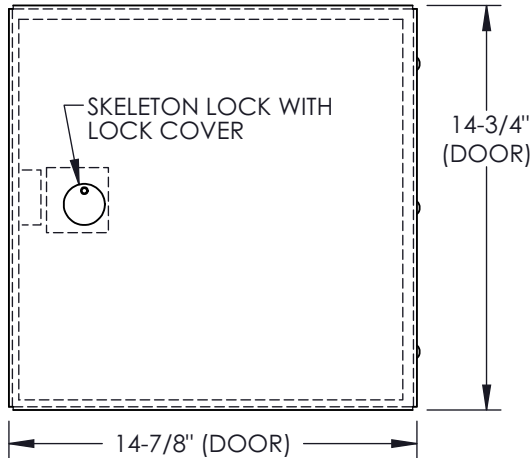
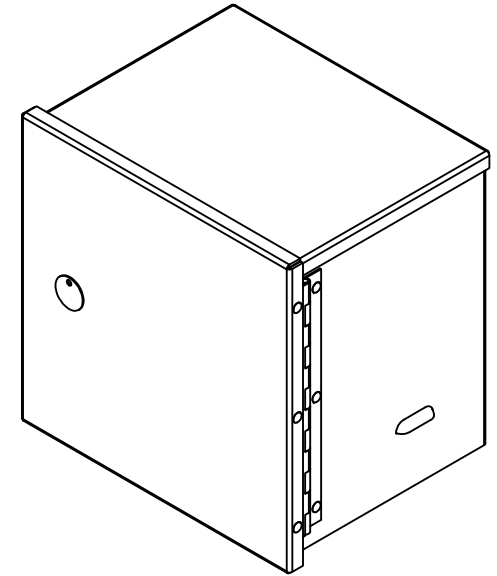
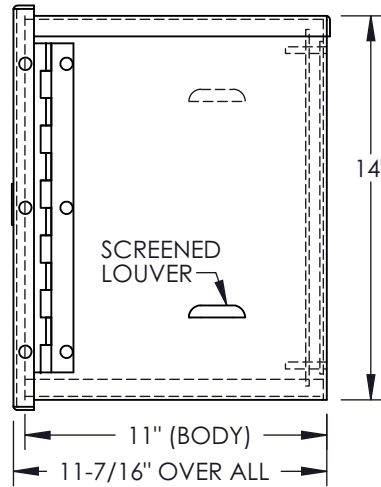


TOP VIEW

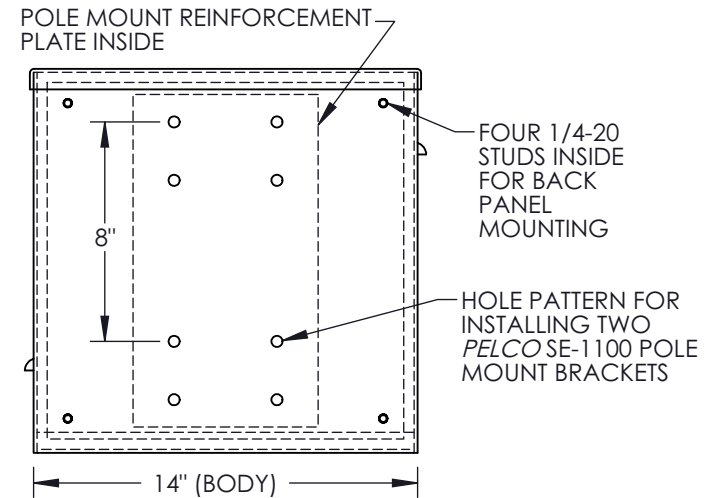
1. POLE MOUNT FLASHER CONSTRUCTED FROM 1/8" ALUMINUM SHEET TO NEMA 3R STANDARDS.
 2. DOOR HAS A SKELETON LOCK WITH LOCK COVER, FULL HEIGHT STAINLESS STEEL HINGE, AND NEOPRENE GASKET.
 3. LEFT AND RIGHT SIDES EACH HAVE ONE SCREENED LOUVER.
 4. FLASHER BACK HAS A HOLE PATTERN FOR INSTALLING TWO PELCO SE-1100 POLE MOUNT BRACKETS WITH A POLE MOUNT REINFORCEMENT PLATE INSIDE (BRACKETS SPACED 8" CENTER TO CENTER).
- SOUTHERN MFG. CO. TO INSTALL PELCO BRACKETS.
5. FLASHER INTERIOR HAS ONE ALUMINUM BACK PANEL 13" HIGH BY 13" WIDE MOUNTED ON FOUR 1/4-20 STUDS WITH WASHERS AND NUTS (PANEL WITHOUT HOLE PATTERNS).
 6. FLASHER INTERIOR AND EXTERIOR FINISH TO CUSTOMER'S SPECIFICATIONS.



FRONT VIEW



RIGHT SIDE VIEW



BACK VIEW DOOR ASSEMBLY REMOVED

I.D. = INSIDE DIMENSION
 O.D. = OUTSIDE DIMENSION
 ALL DIMENSIONS ARE IN INCHES

PROPRIETARY AND CONFIDENTIAL

The information contained in this drawing is the sole property of Southern Manufacturing. Any reproduction in part or as a whole without the written permission of Southern Manufacturing is prohibited.



Southern Manufacturing

501 Herndon Ave
 Orlando, FL 32803
 ph: 407-894-8851
 fx: 407-894-5373

MATERIAL: 5052-H32 ALUMINUM .125"

FINISH: TO CUSTOMER'S SPECIFICATIONS

	NAME	DATE
DRAWN By:	SAS	6/11/10
CHECKED:		
MFG APPR:		
Cust APPR:		

1/8" ALUMINUM 3R POLE MOUNT FLASHER
 14" HIGH BY 14" WIDE BY 11" DEEP

P/N: FA-14x14x11-COLUMBIA-ASY-1A

ASSEMBLY - FLASHER

Rev: 0

Scale: NTS

SHEET 1 of 2

SIZE A