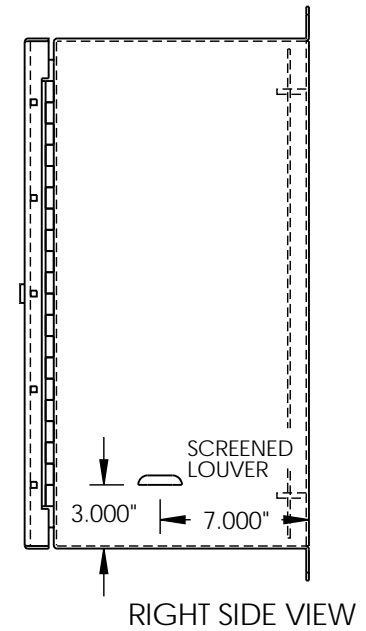
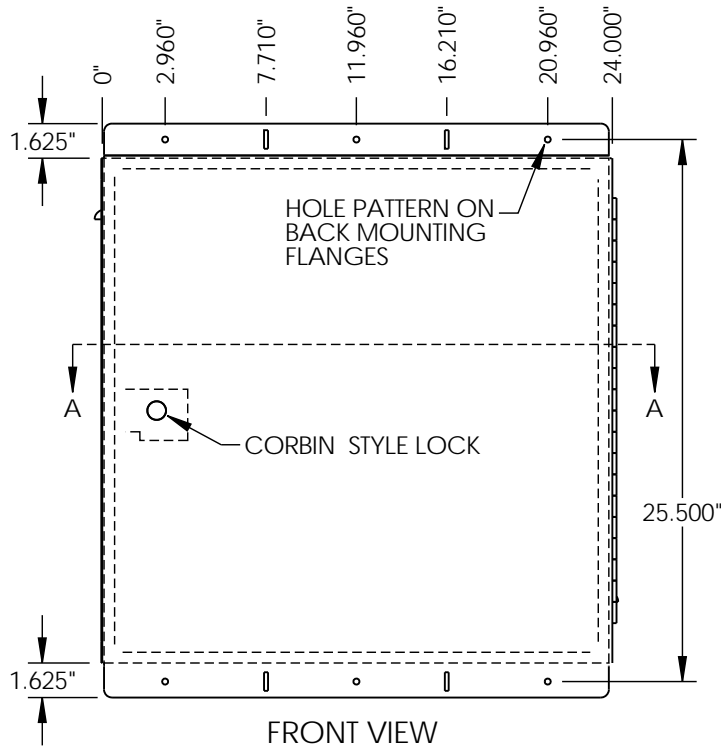
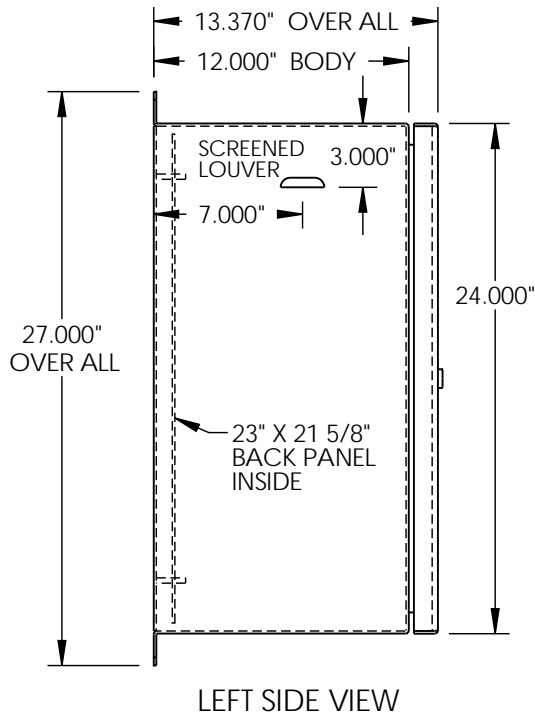
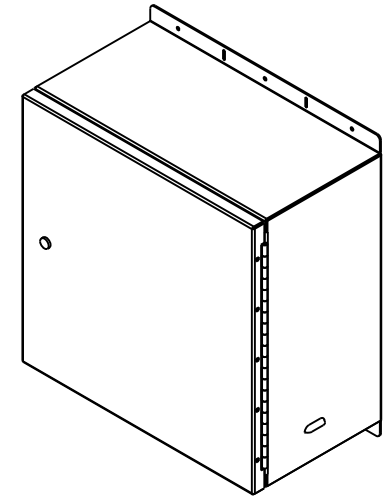
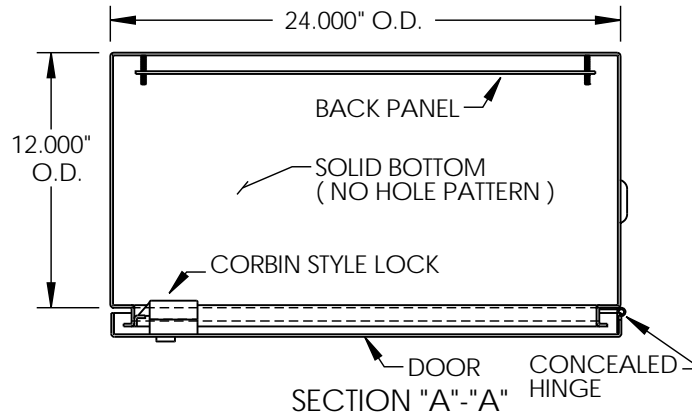


1. FLASHER CONSTRUCTED FROM 1/8" THICK ALUMINUM SHEET TO NEMA 3R STANDARDS.
2. ALL SEAMS CONTINUOUSLY WELDED.
3. BACK MOUNTING FLANGES ALLOW FOR WALL OR POLE MOUNTING.
4. LEFT AND RIGHT SIDES EACH HAVE ONE SCREENED VENT LOUVER.
5. DOOR HAS A CORBIN STYLE LOCK, CONCEALED STAINLESS STEEL HINGE, AND NEOPRENE GASKET. HINGE SECURED TO DOOR WITH FIVE 3/16" STAINLESS STEEL POP RIVETS AND TO BODY WITH FIVE 1/4-20 BY 1/2" STAINLESS STEEL CARRIAGE BOLTS AND NUTS. DOOR OPENING IS DOUBLE FLANGED AND IS 21 3/4" HIGH BY 21 3/4" WIDE.
6. FLASHER BOTTOM IS SOLID (NO HOLE PATTERN).
7. BACK PANEL IS 1/8" THICK ALUMINUM, 23" HIGH BY 21 5/8" WIDE, AND IS MOUNTED ON FOUR 1/4-20 BY 1 1/2" LONG STUDS.



Southern Manufacturing

501 Herndon Ave
Orlando, Fl. 32803
ph: 407-894-8851
fx: 407-894-5373

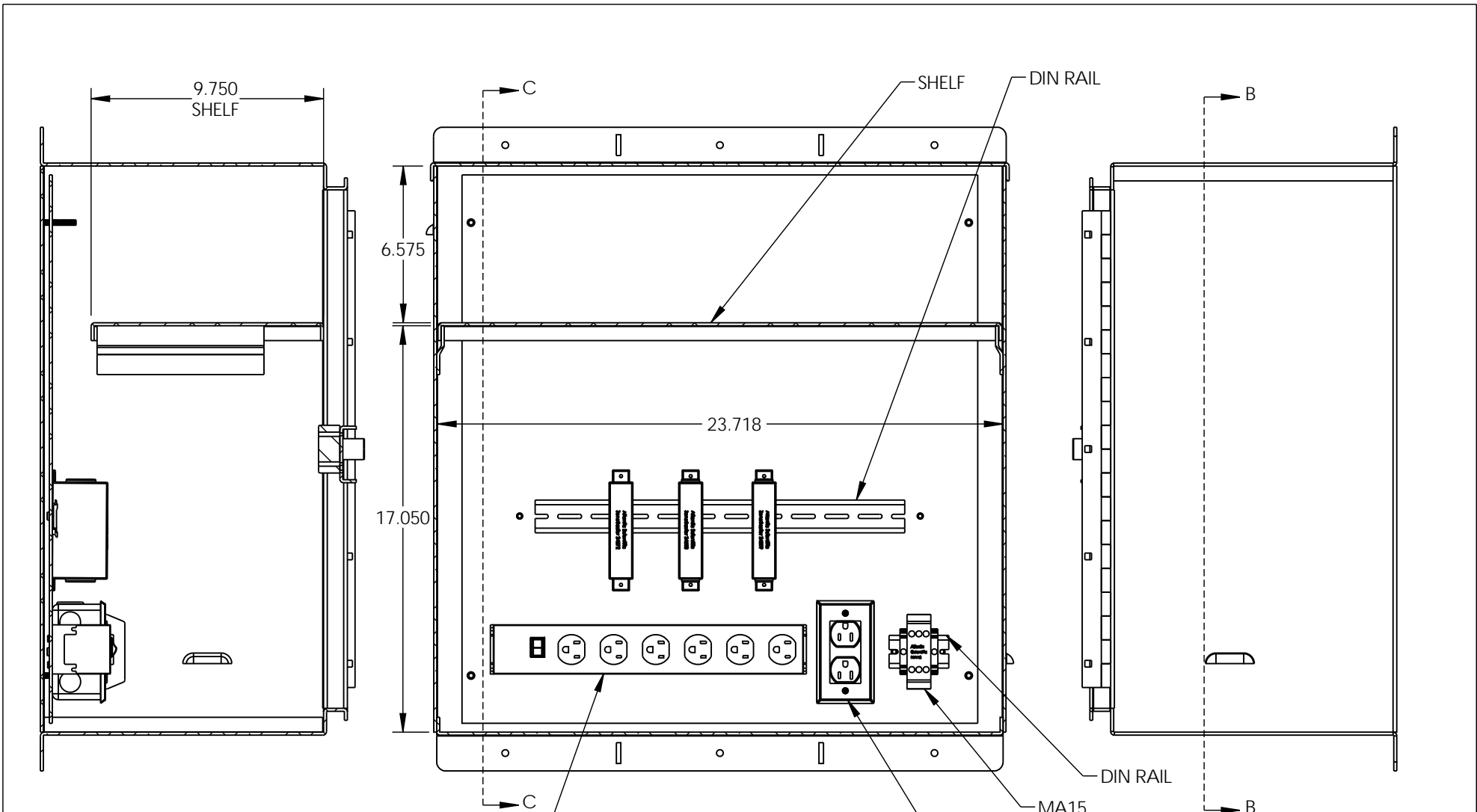
SOUTHERN MFG. CO.

MATERIAL:
FINISH:

	NAME	DATE
DRAWN By:	JPL	2/24/11
CHECKED:		
MFG APPR:		
Cust APPR:		

P/N:	FA-24x24x12-INTELLIGENT-ASY-1A
24 X 24 X 12 FLASHER ASSEMBLY	
Scale:	Sheet 1 of 5
Rev:	0
SIZE	A

PROPRIETARY AND CONFIDENTIAL
The information contained in this drawing is the sole property of Southern Manufacturing. Any reproduction in part or as a whole without the written permission of Southern Manufacturing is prohibited.



SECTION C-C

SECTION B-B

TRIPPLITE
PM6NS

15 Duplex Outlet



Southern Manufacturing
501 Herndon Ave
Orlando, FL 32803
ph: 407-894-8851
fx: 407-894-5373

SOUTHERN MFG. CO.

MATERIAL:
FINISH:

	NAME	DATE
DRAWN By:	JPL	2/24/11
CHECKED:		
MFG APPR:		
Cust APPR:		

P/N: FA-24x24x12-INTELLIGENT-ASY-1

DIN Rail, Power Strip,
Receptacle, AC TVSS, Shelf

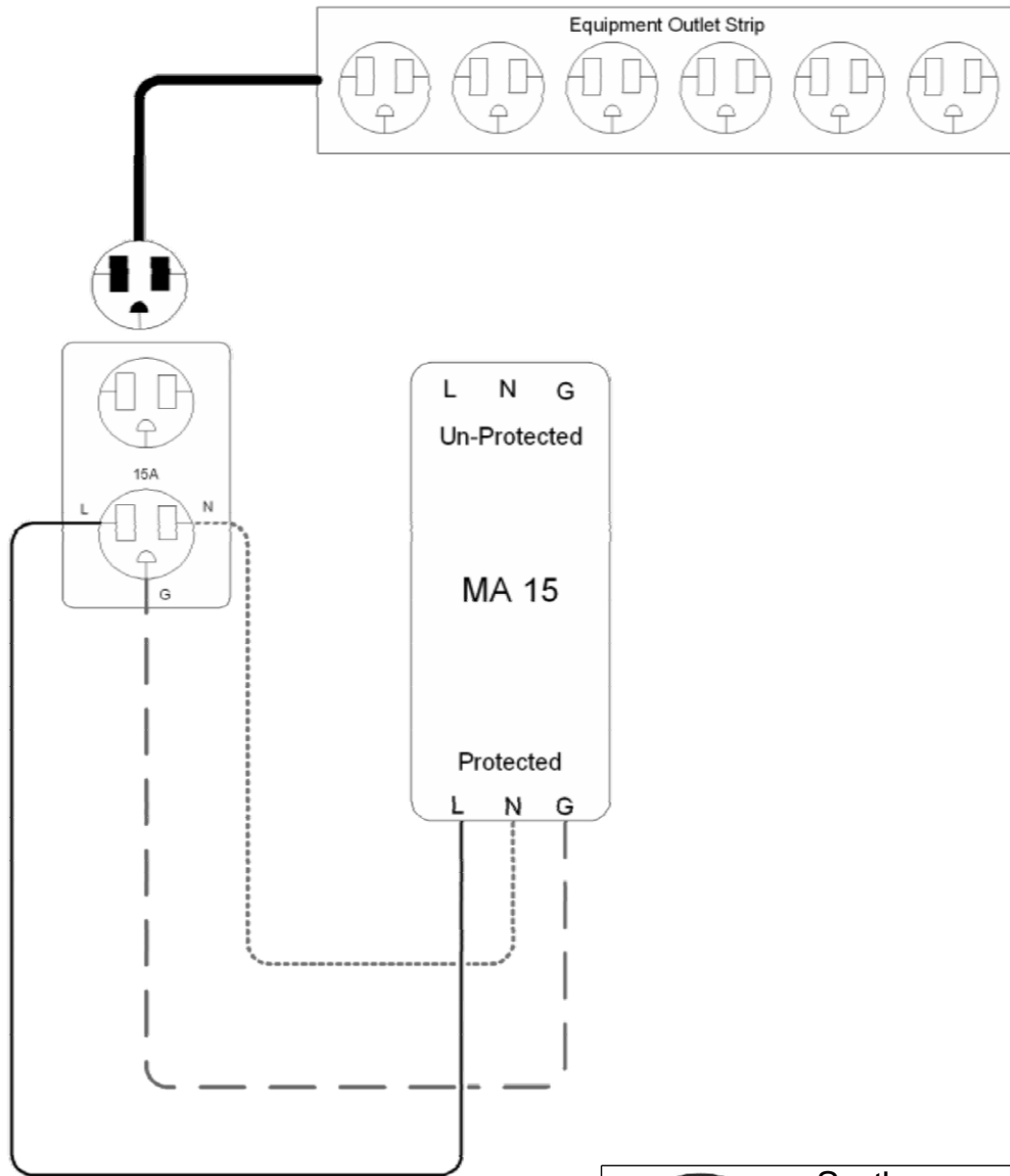
Rev: 0

Scale: Sheet 2 of 5

SIZE **A**

PROPRIETARY AND CONFIDENTIAL

The information contained in this drawing is the sole property of Southern Manufacturing. Any reproduction in part or as a whole without the written permission of Southern Manufacturing is prohibited.



Southern Manufacturing
 501 Herndon Ave
 Orlando, Fl. 32803
 ph: 407-894-8851
 fx: 407-894-5373

		NAME	DATE	SOUTHERN MFG. CO.	
DRAWN By:	AE	08 MAR 11	P/N: ESD		
CHECKED:					Rev: 0
MATERIAL:		MFG APPR:		Scale:	Sheet 5 of 5
FINISH:		Cust APPR:			SIZE A

PROPRIETARY AND CONFIDENTIAL

The information contained in this drawing is the sole property of Southern Manufacturing. Any reproduction in part or as a whole without the written permission of Southern Manufacturing is prohibited.