



## Internally Illuminated Street Name Signs Owner's Manual

Southern's internally illuminated street name signs are designed for long service and to meet or exceed all Federal and state standards including withstanding hurricane force winds. They are also engineered to be easy to install and maintain. All signs share the same basic engineering and design concepts despite stylistic differences. In other words the edge-lit Clean Profile sign incorporates all of the design features of the standard A body design. The difference being the light management which is achieved through the addition of advanced optics.

A one page installation and troubleshooting guide is attached to this manual and is provided with each sign order.

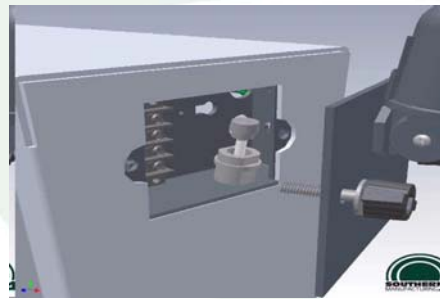
### Installation:

All signs have an exterior access panel that has the terminal block and a fuse. The signs come wired to the terminal block, so all that is necessary to wire the sign in the field is to attach the incoming power to the terminal block. The access panel is attached using 2 thumb screws, so no tools are needed to remove the access cover plate. The thumb screws cannot fall out and be lost.

All signs are designed to be mounted with standard traffic signal and sign mounting hardware provided by others.

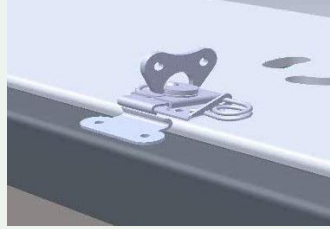
### Service:

- Fuse – There is a fuse holder in the access panel that holds a standard fuse with the cap attached. These are readily available from Southern or local electrical supply houses and require no tools to change.

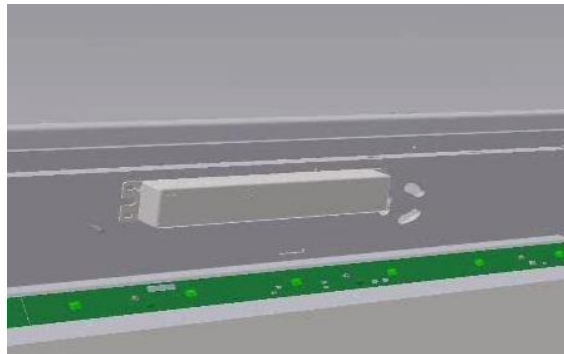




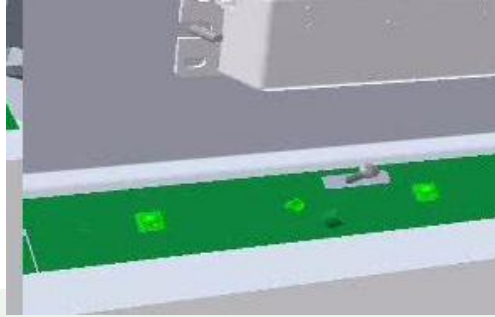
- Internal Components
  - The doors are secured with stainless steel keeper latches on the top of the sign. The sign can be opened by flipping up the tab and turning each latch.



- There are three components inside of the sign:
  - The power supply/ballast is located on the top or side of the interior of the sign and can be replaced easily.



- If the sign is fluorescent, the lamps are easily accessible and are standard T12 lamps with recessed double contact fitting.
- If the sign is LED, the LED strips are chained together with Molex clips. To remove an LED strip,
  - Unclip the electrical connector.
  - Remove the three Philips screws that hold the LED strip and heat sink in place.
  - Replace the strip and reconnect the wire clip.
  - The strips come in 1' and 2' lengths and the strips for the Clean Profile sign have added optics. Other than the optics they are the same. These LED strips are engineered so that if one LED fails, the others will continue to operate. The rated life is 60,000. They are a custom strip and must be ordered from Southern Manufacturing.



- Lens – The lens is made from 3 millimeter polycarbonate sheeting and can be removed by bowing the lens inward and working it out of the flanges in the door. **NO TOOLS ARE REQUIRED.** To insert a new lens reverse the process. Replacement lenses can be ordered from Southern Manufacturing or can be made by most sign shops that have the software to make street names.

All signs are fabricated from the same .125” 5052 aluminum that is used to make traffic enclosures. They are designed for ease of service and unless the sign is being repainted, most service can be done without removing the sign. The signs have a seven (7) year manufacturer’s limited warranty.

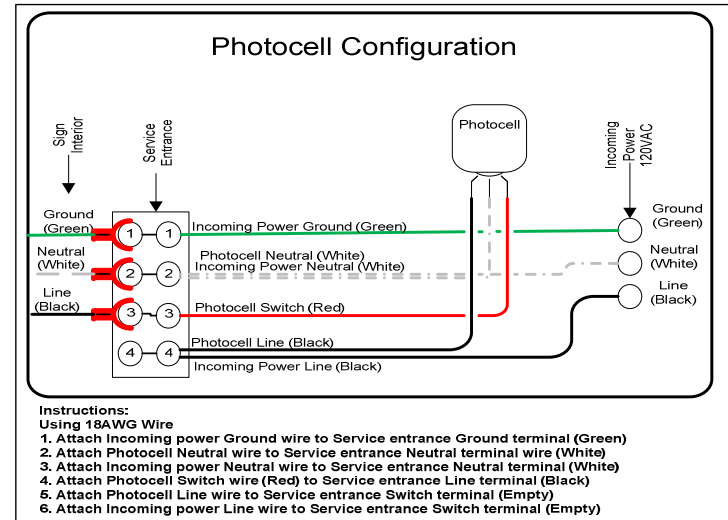
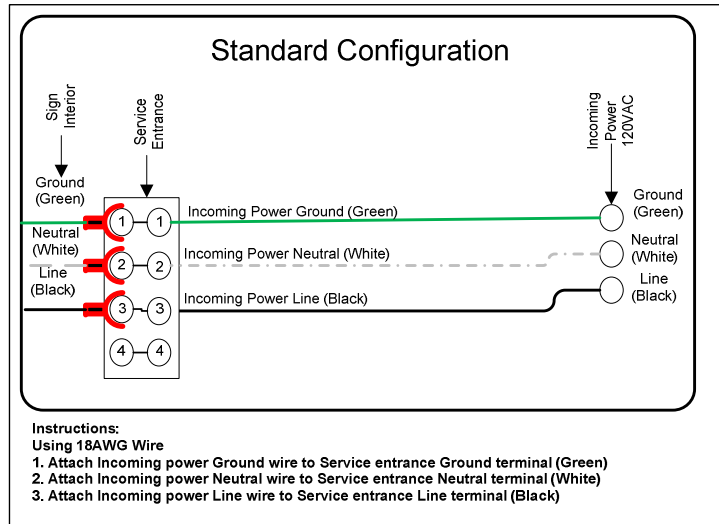
For technical support contact Southern Manufacturing at 407-894-8851 or by email to [contactus@southernmfg.com](mailto:contactus@southernmfg.com)

Jan 2013



# Internally Illuminated Street Name Sign: LED

## Installation Instructions

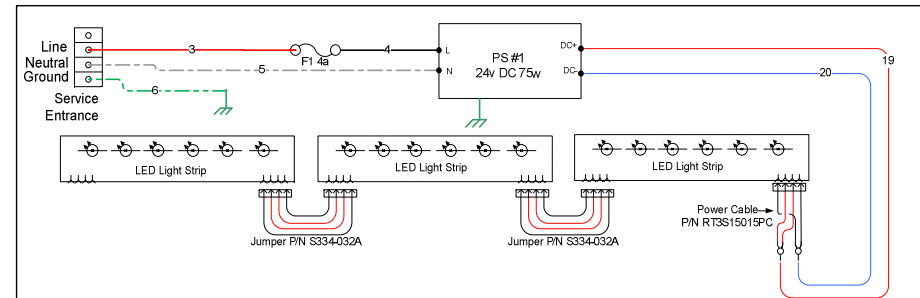


## Troubleshooting Guide

Problem	Cause	Solution
Sign will not Energize	Blown Fuse	Replace fuse
	Incoming power wired incorrectly	Rewire as shown in wiring diagram above
	Photocell wired incorrectly	See <i>Photocell problems</i>
	LED strips damaged / Fluorescent tubes damaged	Check / Replace LED strips/Bulbs
	Incorrect input power	Ensure 120VAC input power is applied
Fuse blows when power is applied	Power exceeds fuse rating	Ensure 120VAC input power is applied
	Incoming power wired incorrectly	Rewire as show in wiring diagram above
One LED strip / Bulb will not light	Improperly connected	Twist bulb to properly seat it in socket
	Faulty bulb / LED strip	Ensure LED jumper cables are connected Replace Bulb / LED strip
<b>Photocell Problems</b>		
Sign will not energize after dark	Too much external light is striking photocell	Reposition photocell away from light source
Sign switches on & off during the day	Line and Switch leads may be reversed	Rewire as shown in wiring diagram
	Not enough light strikes photocell	Reposition photocell
Sign blinks at night, but is off during the day	Too much light is striking photocell	Reposition photocell away from artificial light
Sign stays on at all times	Line voltage too low	Ensure 120VAC input power is applied
	Contacts are welded due to excessive load	Replace photocell
	Not enough light strikes photocell	Reposition photocell
Sign stays off at all times	LED strips / Bulbs Blown	Check/Replace LED strips/Bulbs
	Input voltage is too high	Check voltage at Service entrance
	Too much light strikes photocell at night	Reposition photocell away from artificial light

## Internally Illuminated Street Name Sign

### Internal Schematic Wiring Diagram



This sign is suitable for wet locations

This sign is intended to be installed in accordance with the requirements of Article 600 of the National Electrical code and/or other applicable local codes. This includes proper grounding and bonding of the sign.

Questions or Concerns?  
 Feel Free to contact us



150 Hope St  
 Longwood FL 32750  
 (800)866-5699  
 Fax: 407-894-5373