

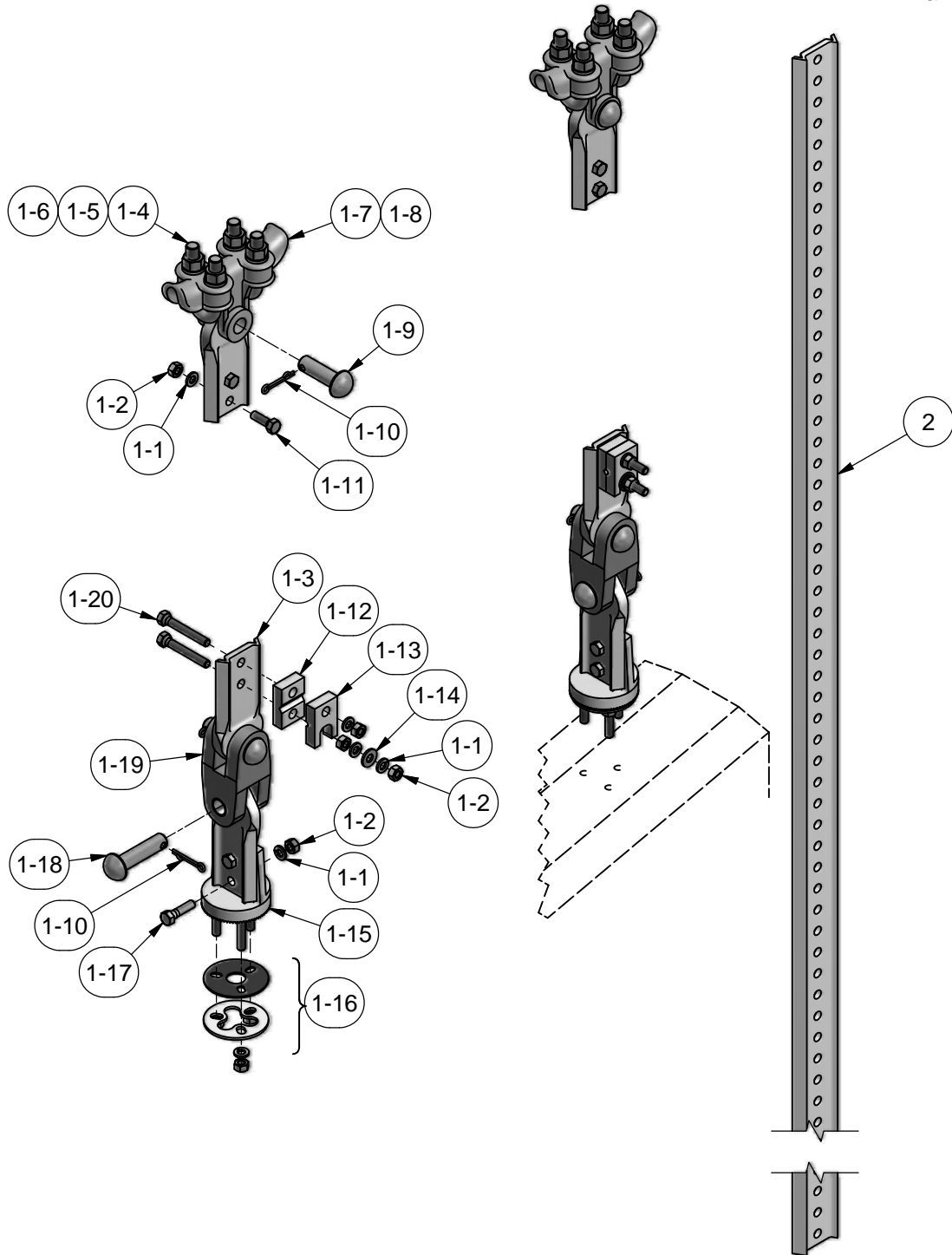
REF:

TITLE:
**Sign Hanger Assy, Free-Swinging Span
Wire for Internally Illuminated Sign, Alum**

PART NO.:
SP-5162

PART NO
SP-5162-PXX

Process No Color=PNC
Paint=PXX



OPTIONS
Paint



www.pelcoinc.com
 EDMOND, OK 73013
 405-340-3434
 FAX: 405-340-3435

This drawing is for reference only. It is the property of Pelco and is not to be used in whole or in part without Pelco's permission.

ASSEMBLY SHEET

REF:

TITLE:
Sign Hanger Assy, Free-Swinging Span Wire for Internally Illuminated Sign, Alum

PART NO.:
SP-5162

ITEM	PART NUMBER	DESCRIPTION	QTY
1	AK-1041-PXX	Assy Kit, Iron Span Wire Clamp, Extender Connectors, Clevis-Clevis, Tri-Stud Hanger Body, Alum	2
1-1	FS-4201-SS	Lock Washer, Split, 5/16", Type 304 Stainless	7
1-2	FS-1001-SS	Nut, Hex 5/16"-18, Type 304 Stainless	7
1-3	SE-0508-M2	Hanger, Extender Connector, 2-Hole, Stainless Bushing, Alum	3
1-4	FS-2507-GLV	U-Bolt, 1/2"-13 x 2-1/8" x 49/64" x 1-3/8" , Galv	2
1-5	FS-1005-GLV	Nut, Hex 1/2"-13, Gr 2H/DH Galv	4
1-6	FS-4202-GLV	Lock Washer, Split, 1/2", Galv	4
1-7	SE-4054-GLV	Clamp Body, Span Wire, Hot Dip Galv, Ductile Iron	1
1-8	SE-4055-GLV	Cable Bar, Span Wire Clamp, Hot Dip Galv, Ductile Iron	1
1-9	FS-6003-GLV	Pin, Clevis, 5/8" x 1-3/4" Galv	1
1-10	FS-6100-SS	Pin, Cotter, Humped, 5/32" X 1.775", 304 Stainless	3
1-11	FS-2006-SS	Bolt, Hex Hd, 5/16"-18 x 1", Type 304 Stainless	2
1-12	SE-0509-M1	Tether Plate, 2-Hole, Alum	1
1-13	SE-0515-M1	Tether Plate, Slotted, Alum	1
1-14	FS-4101-SS	Washer, Flat, 5/16" x 3/4" OD, Type 304 Stainless	1
1-15	SE-0512-M1	Hanger Body, Tri-Stud, 5/16"-18, Alum	1
1-16	SE-5048-SS	Hardware Kit, Tri-Stud w/ Gasket, 5/16"-18, Zinc Slotted Washer & Stainless Hardware	1
1-17	FS-2019-SS	Bolt, Hex Hd, 5/16"-18 x 1-1/4", Type 304 Stainless	2
1-18	FS-6000-GLV	Pin, Clevis, 5/8" x 2-1/4" EL (.603-.610 Dia) Galv	2
1-19	SE-0464-M2	Hanger, Clevis-Clevis, 1/2" x 1/2" w/ Stainless Bushings, Alum	1
1-20	FS-2016-SS	Bolt, Hex Hd Tap, 5/16"-18 x 2-1/4" , Type 304 Stainless	2
2	SE-0507-72	Extender w/ Holes, 72" Long, Alum	1